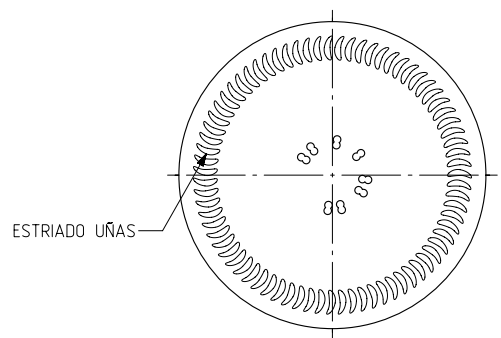
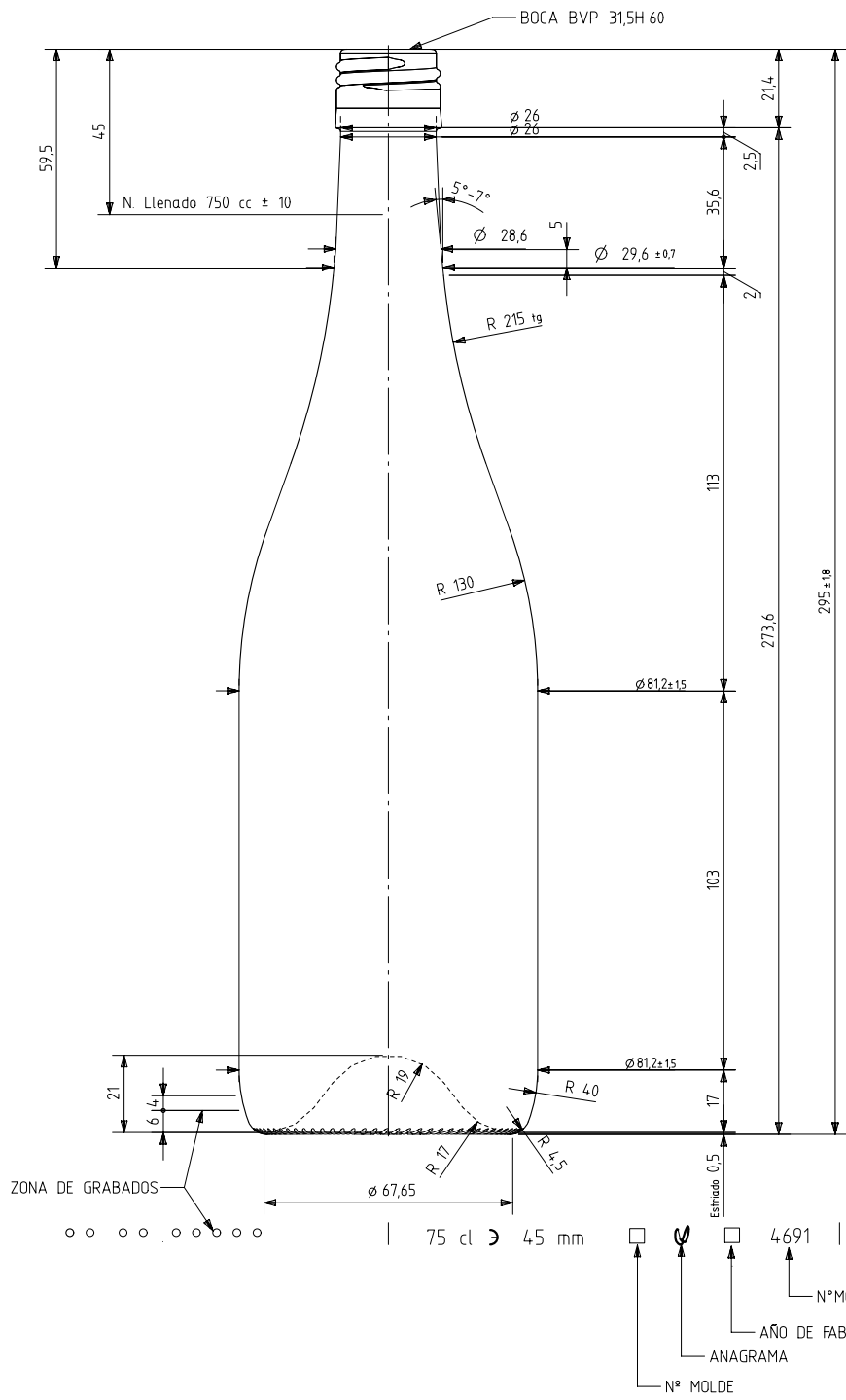


# BG EVOLUTION 75 CL BVS


## Product characteristics

|                       |             |
|-----------------------|-------------|
| <b>Code</b>           | 4691/477    |
| <b>Capacity</b>       | 750 ml      |
| <b>Colours</b>        |             |
| <b>Weight</b>         | 440 gr      |
| <b>Overall height</b> | 295.00 mm   |
| <b>Diameter</b>       | 81.20 mm    |
| <b>Palet</b>          | 1.358 units |





VISTA DEL FONDO

|   |                                    |            |   |  |   |                               |                          |
|---|------------------------------------|------------|---|--|---|-------------------------------|--------------------------|
|   |                                    |            | Peso aprox / Weight approx                | 440 gr   | <br>Product Design Office<br>www.vidrala.com |                               |                          |
|   |                                    |            | Capacidad N. llenado / Fillpoint Capacity | 750 cc ± 10 a 45,0 mm                            |   |                               |                          |
|   |                                    |            | Capacidad a verter / Brimfull Capacity    | 764,0 cc ± aprox                                 |   |                               |                          |
| 3   | Se cambia codigo de Boca de 476    | 26-08-13   | JAU                                       | Cámara expansión / Expansion Chamber             | 1,9 %   | Dibujado / Des. : A. Molano   | CAD. : 9691-3prt         |
| 2   | Modif. grabados del fondo al talon | 21-11-11   | JAU                                       | Recipiente medida / Meas cap                     | SI  | Fecha / Date : 20-11-08       | Anula / Annuls. : 9691-2 |
| 1   | Modif. cuello s/norma 476          | 07-05-10   | JAU                                       | Angulo de volcado / Tilt angle                   | 18,8°   | Escala / Escalae : 1/1        | Nº Plano : 9691-3        |
| Rev   | Modificación / Modification        | Fecha/Date | Firma/Sign                                | Carbonatación / Gas vol                          | 0,0 Vol CO2 máx   | Retornable / Refillable       | NO                       |
| Este plano es propiedad de Vidrala, no puede ser reproducido ni comunicado sin nuestro permiso.<br>Las cotas no toleradas son aproximadas.<br>Specification agreements are based on toleranced dimensions only. Do not scale drawing, copyright reserved.<br>Not to be copied in whole or part without written permission from vidrala.<br>All dimensions are in millimeters. |                                    |            |   | Presión inf. max. (20°) / Max Pressure (20°):    | 0,00 Bar  | Modelo:                       | 4691/477                 |
|   |                                    |            |   | Resistencia. choque térmico / Thermal Shock Max: | 42 °C   | BOURGOGNE EVOLUTION 75CL. BVS |                          |