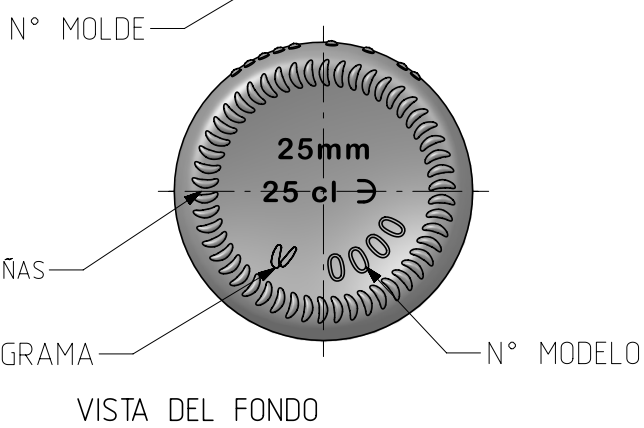
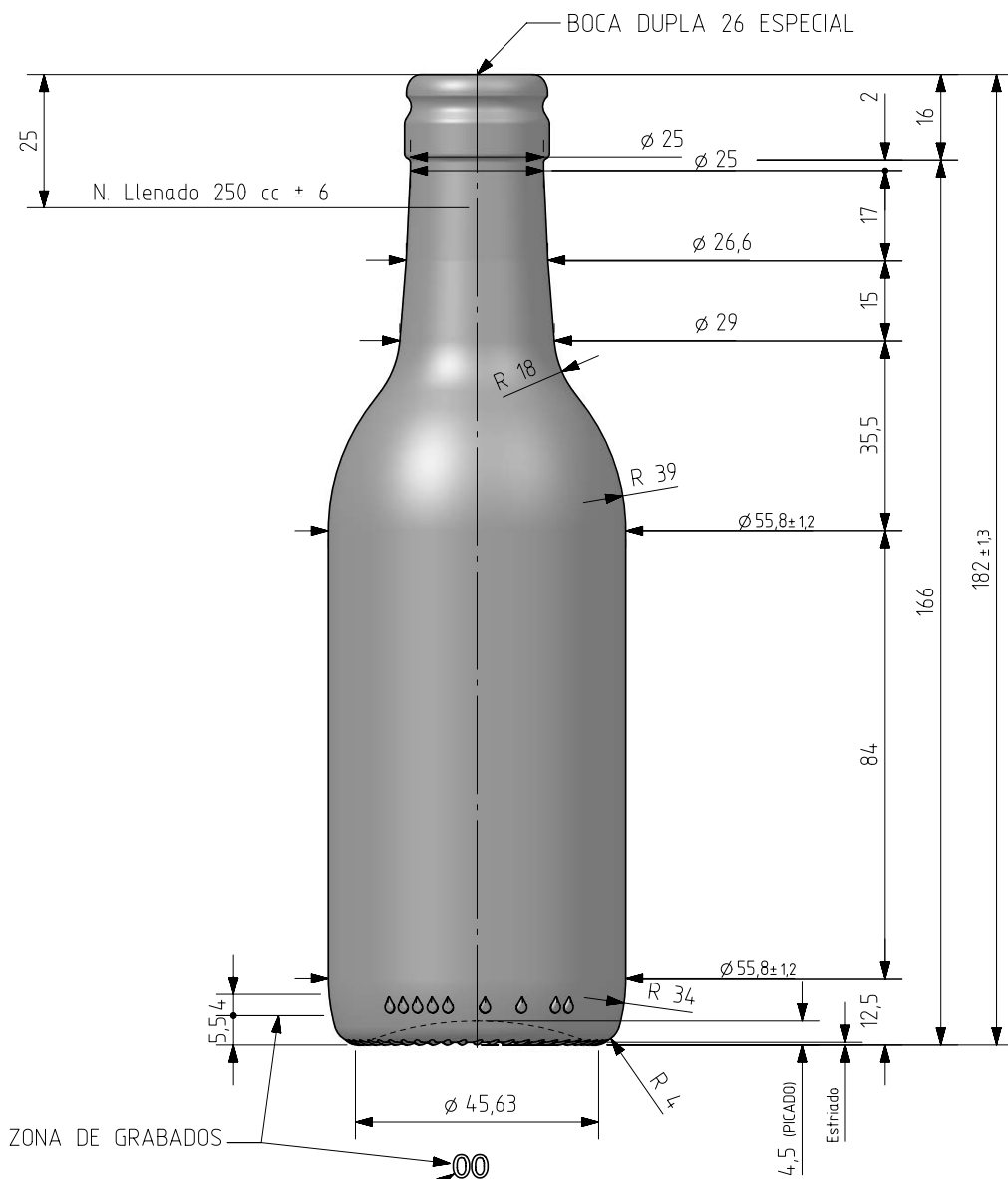



BD LIGEIRA 25 CL

Características do produto

| | |
|---------------------|---|
| Código | 1399/392 |
| Capacidade | 250 ml |
| Cores |  |
| Peso | 145 gr |
| Altura Total | 182.00 mm |
| Diâmetro | 55.80 mm |
| Palete | 4.200 Unidades |





| | | | | | | | | | | |
|---|---|-----------------------------|-------------------------------------|-----------------|---|--------------------------|-----------------------------|------|------------|------------|
| <p>Este plano es propiedad de Vidrala, no puede ser reproducido ni comunicado sin nuestro permiso. Las cotas no toleradas son aproximadas. This drawing is the property of Vidrala, it cannot be reproduced or communicated without our permission. Specifications are based on tolerance dimensions only. Do not scale drawing copyright. Not to be copied in whole or part without written permission from VIDRALA. All dimensions are in millimeters.</p> | B1 | Diam 55,8; Peso=145gr | 06-07-07 | HM | | | | | | |
| | B | Diam Gargalo | 13-11-02 | | B3 | Se revisa altura botella | 22-07-17 | P.R. | | |
| | A | Cap. /Nivel Enchim. | 03-06-97 | | B2 | SE PASA A BOCA 392 | 21-07-17 | JOJ | | |
| | Rev | Modificación / Modification | | Fecha/Date | Firma/Sign | Rev | Modificación / Modification | | Fecha/Date | Firma/Sign |
| | Peso aprox / Weight approx | | 145 | gr | | | | | | |
| | Capacidad N. llenado / Fillpoint Capacity | | 250 | cc± 6 a 25,0 mm | | | | | | |
| | Capacidad a verter / Brimfull Capacity | | 257,0 | cc± aprox | | | | | | |
| | Cámara expansión / Expansion Chamber | | 2,8 | % | | | | | | |
| | Recipiente medida / Meas cap | | SI | | | | | | | |
| | Angulo de volcado / Tilt angle | | 19,7 | ° | | | | | | |
| Carbonatación / Gas vol | | 0,0 | Vol.CO2 máx | | | | | | | |
| Presión larga duración/Long term pressure: | | 0,00 | Bar Max | Páster | NO | | | | | |
| Resistencia: choque térmico / Thermal Shock Max: | | | <input checked="" type="checkbox"/> | °C | | | | | | |
| | | | | |  Product Design Office www.vidrala.com | | | | | |
| | | | | | Dibujado / Des : P. Ormazabal | | CAD: 9120-3prt | | | |
| | | | | | Fecha / Date 08-04-97 | | Anula / Annuls: 9120-2 | | | |
| | | | | | Escala / Escala: 1:1 | | Nº Plano: 9120-3 | | | |
| | | | | | Retornable / Refillable NO | | Drawing Nº: 62,1% | | | |
| | | | | | Modelo: Code: 1399/392 | | BORDALESA LEVE 25 CL | | | |